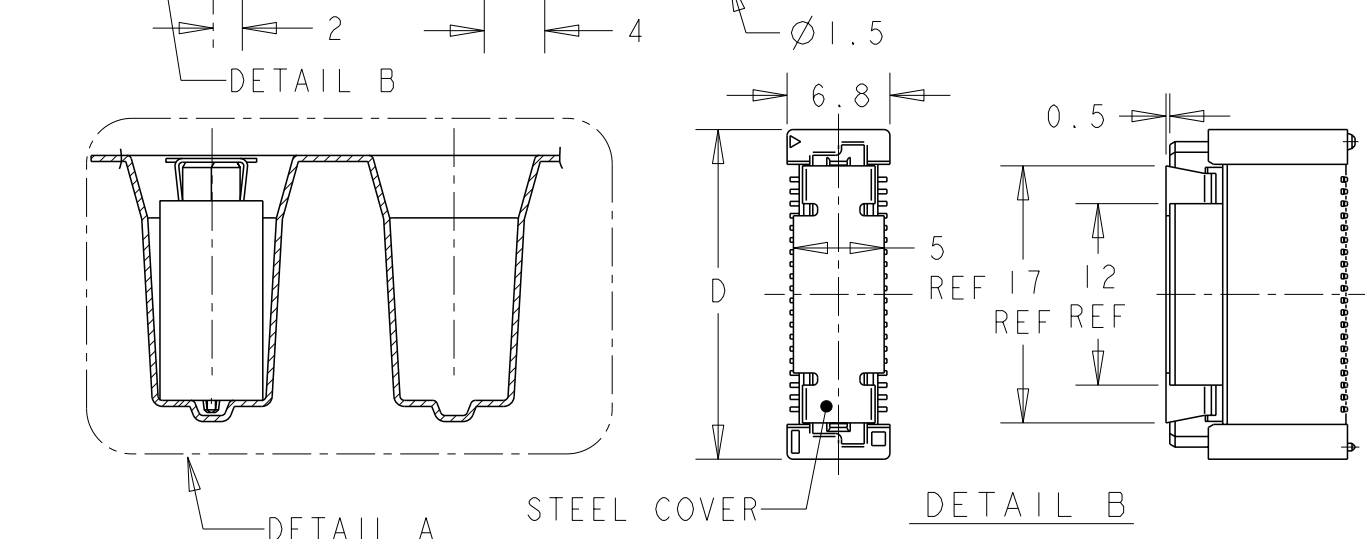
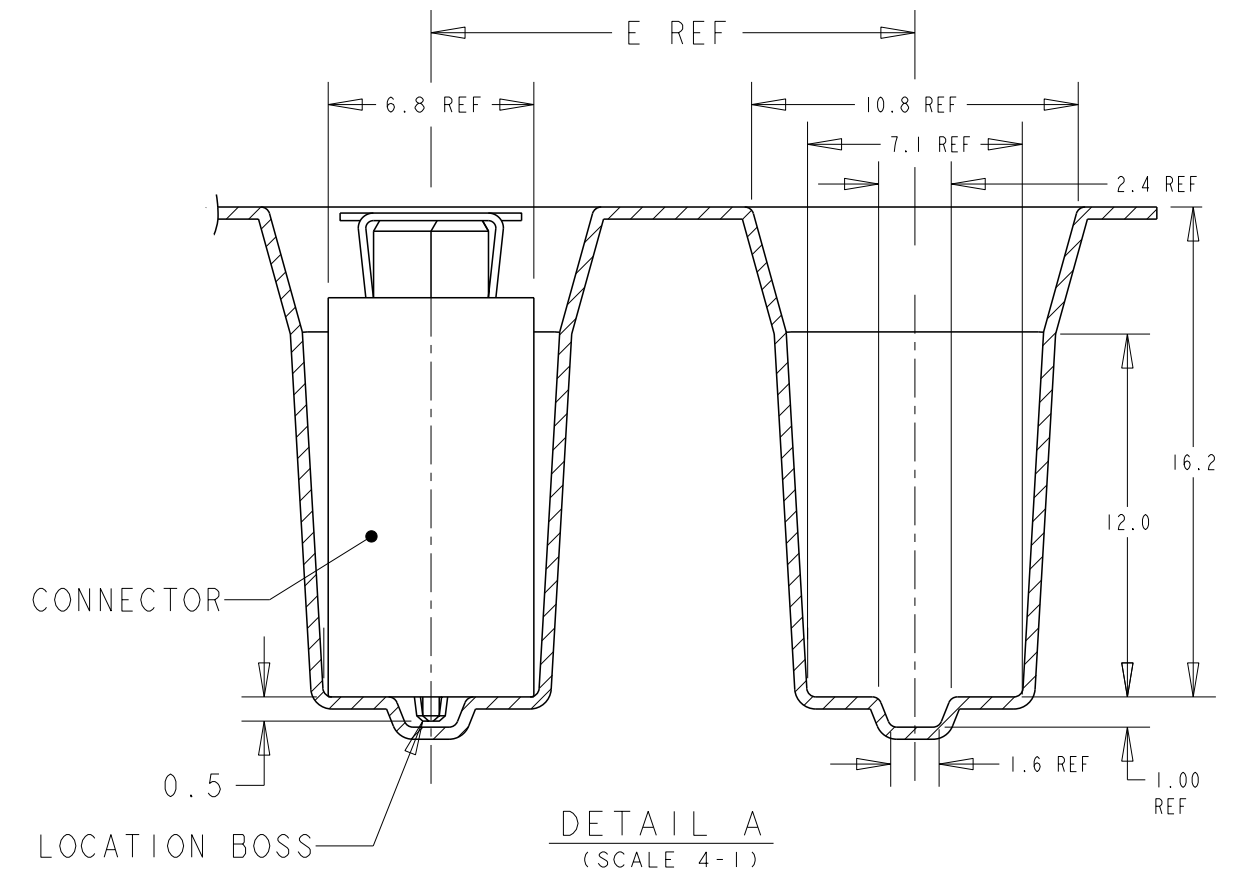
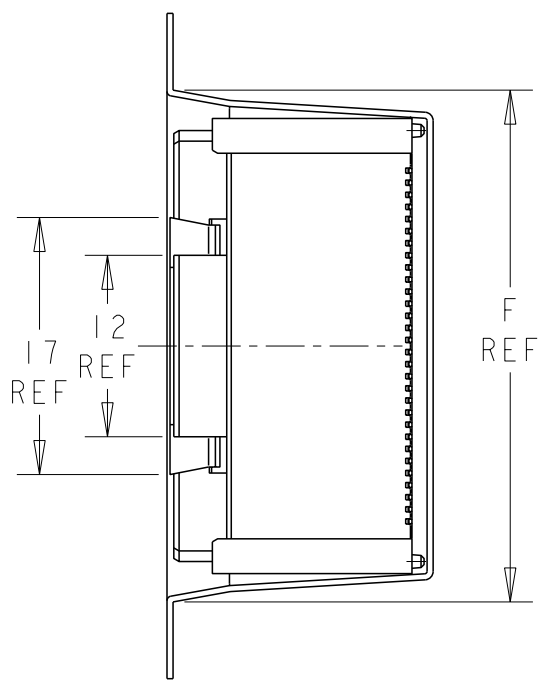
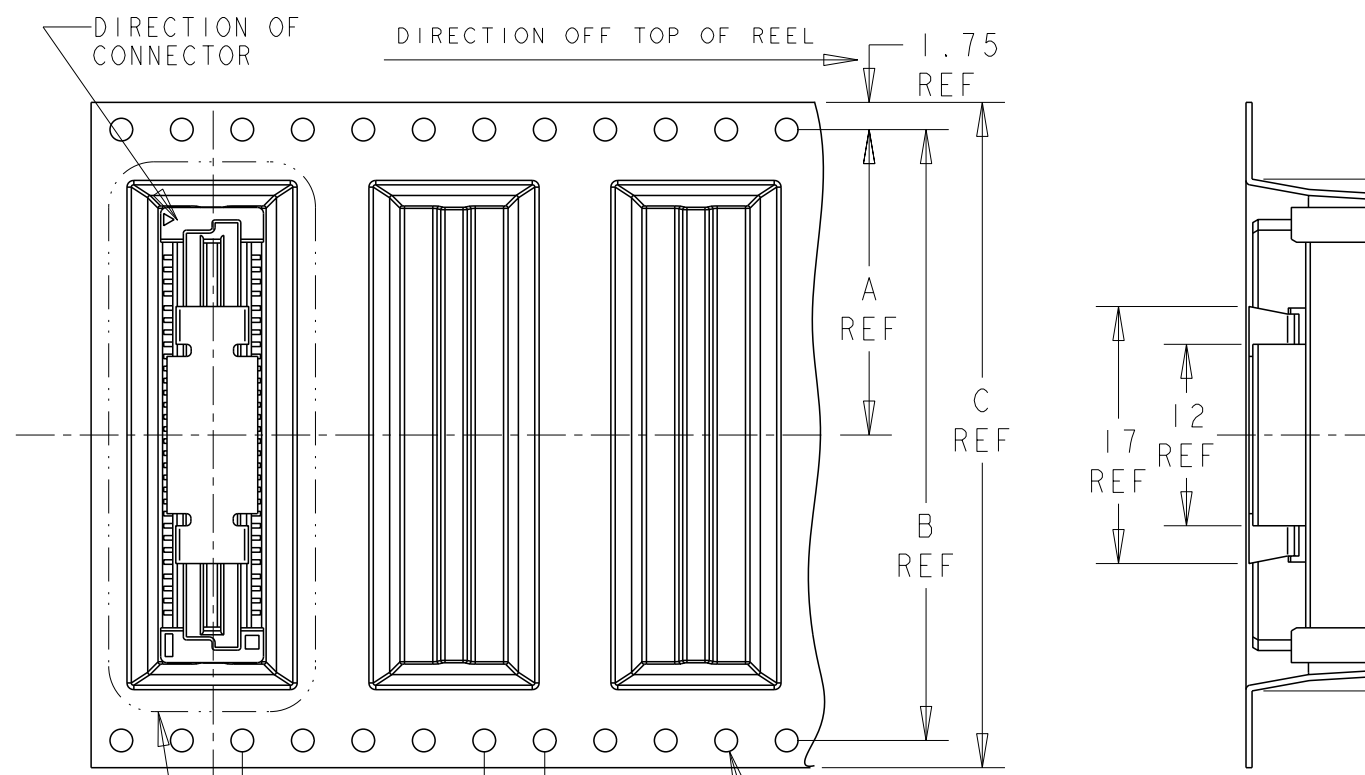


THIS DRAWING IS UNPUBLISHED. RELEASED FOR PUBLICATION 20  
 © COPYRIGHT 20 BY - ALL RIGHTS RESERVED.

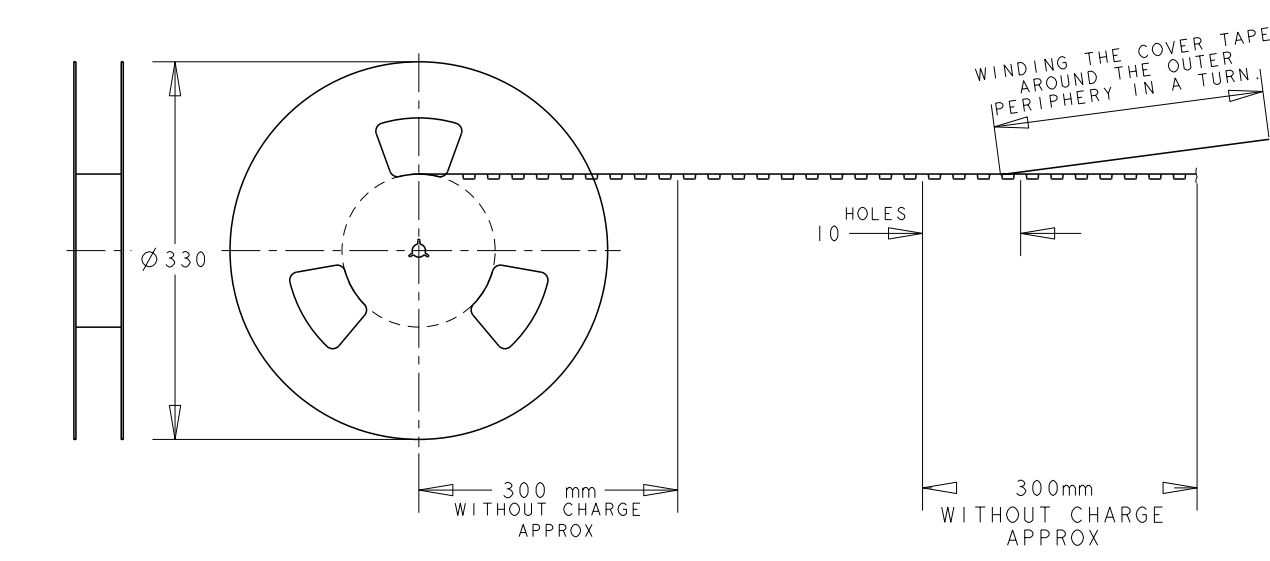
LOC	DIST	REVISIONS					
		P	LTR	DESCRIPTION	DATE	DWN	APVD
DY	-	A2		REVISED PER ECR-14-010370	10JUL2014	I.T	W.H



NOTES:

- MATERIALS:  
 HOUSING: L.C.P (HIGH TEMP THERMO PLASTIC) UL 94V-0, NATURAL.  
 CONTACT: COPPER ALLOY.
- FINISH:  
 ENGAGEMENT AREA: 0.0002 MIN GOLD  
 SOLDERING AREA: 0.002 MIN MATTE TIN  
 UNDERCOAT: 0.0013 MIN NICKEL ALL OVER
- FINISH:  
 ENGAGEMENT AREA: 0.00076 MIN GOLD  
 SOLDERING AREA: 0.002 MIN MATTE TIN  
 UNDERCOAT: 0.0013 MIN NICKEL ALL OVER
- POSITION SERIES:  
 SEE P/N TABLE ON SHEET 3.
- CONNECTOR MATED STACKED HEIGHT IS COMBINATION OF PLUG HEIGHT "Y" AND REC HEIGHT "X", LESS 5 mm.  
 STACKED HEIGHT = Y + X - 5
- THIS DRAWING 1735481 DESCRIBES CONNECTORS P/N X-1735480-X WITH STEEL COVER IN EMBOSS TAPE PACKAGING.

CONNECTOR DIMENSIONS (ON SHEET 2) AND RECOMMENDED P.C. BOARD LAYOUT (ON SHEET 3) ARE REFERENCED FROM DRAWING 1735480.



THIS DRAWING IS A CONTROLLED DOCUMENT.		DWN WYLEE 10JUL2007		NAME RECEPTACLE 17mm HEIGHT FH 0.8mm B-T-B CONNECTOR WITH STEEL COVER, ON EMBOSS TAPE
DIMENSIONS: mm		CHK YJ SEE 20MAR2013		
TOLERANCES UNLESS OTHERWISE SPECIFIED:		APVD SF LEONG 20MAR2013	PRODUCT SPEC 108-5390	SIZE A3
0 PLC ±-		APPLICATION SPEC 114-5254	WEIGHT -	CAGE CODE 00779
1 PLC ±0.30				DRAWING NO C-1735482
2 PLC ±0.25				RESTRICTED TO -
3 PLC ±0.20				SCALE 2:1
4 PLC ±-				SHEET 1 OF 3
ANGLES ±3°				REV A2
MATERIAL FINISH SEE P/N TABLE		CUSTOMER DRAWING		

THIS DRAWING IS UNPUBLISHED.

RELEASED FOR PUBLICATION

20

© COPYRIGHT 20 BY -

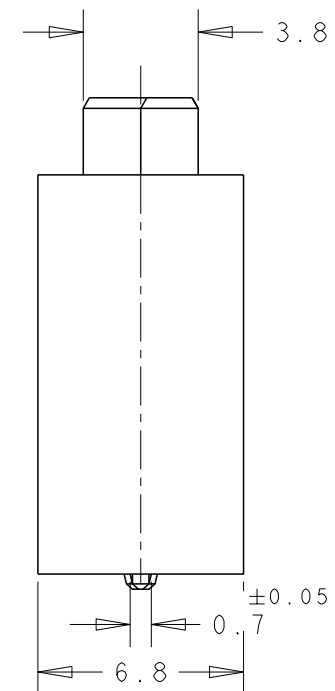
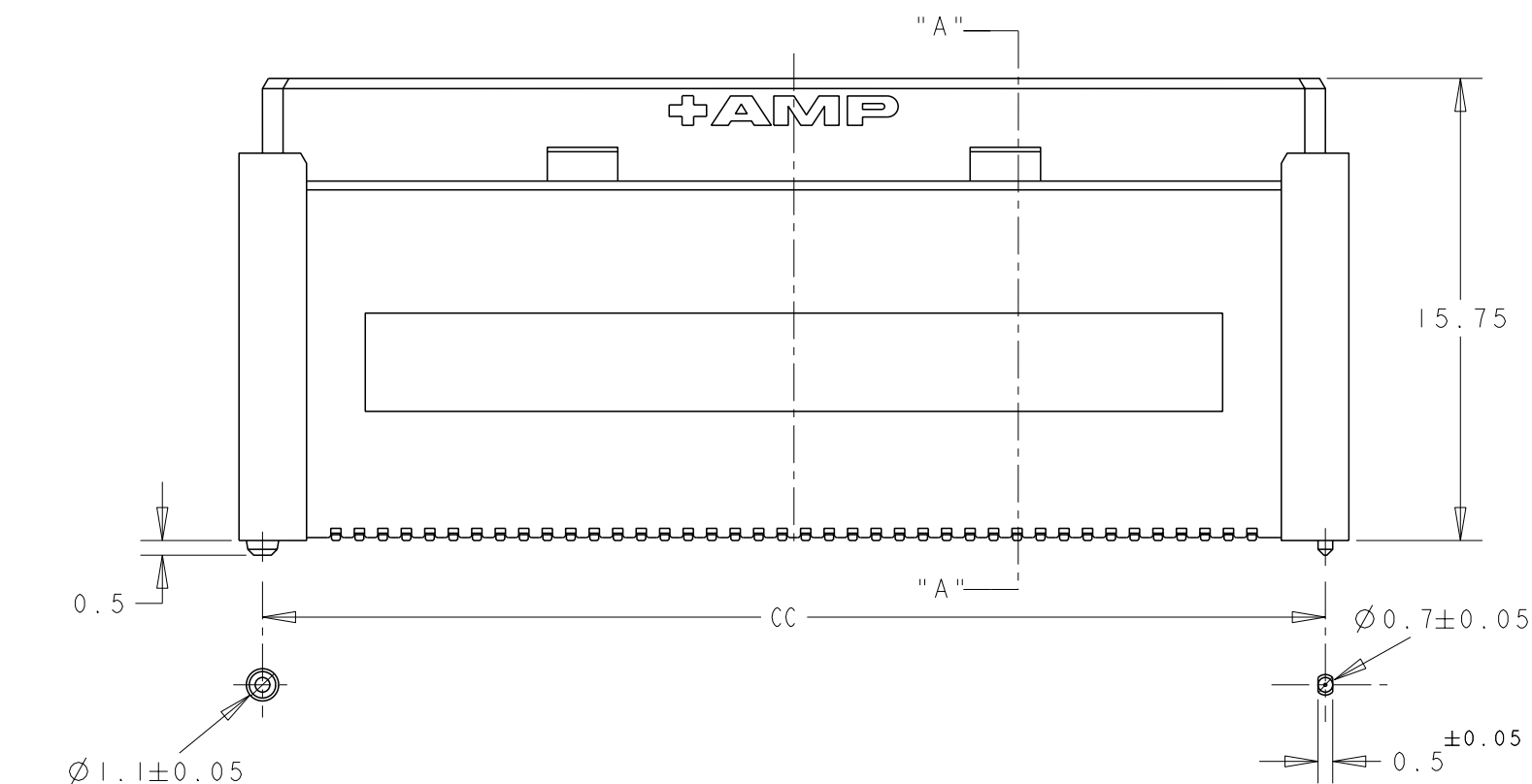
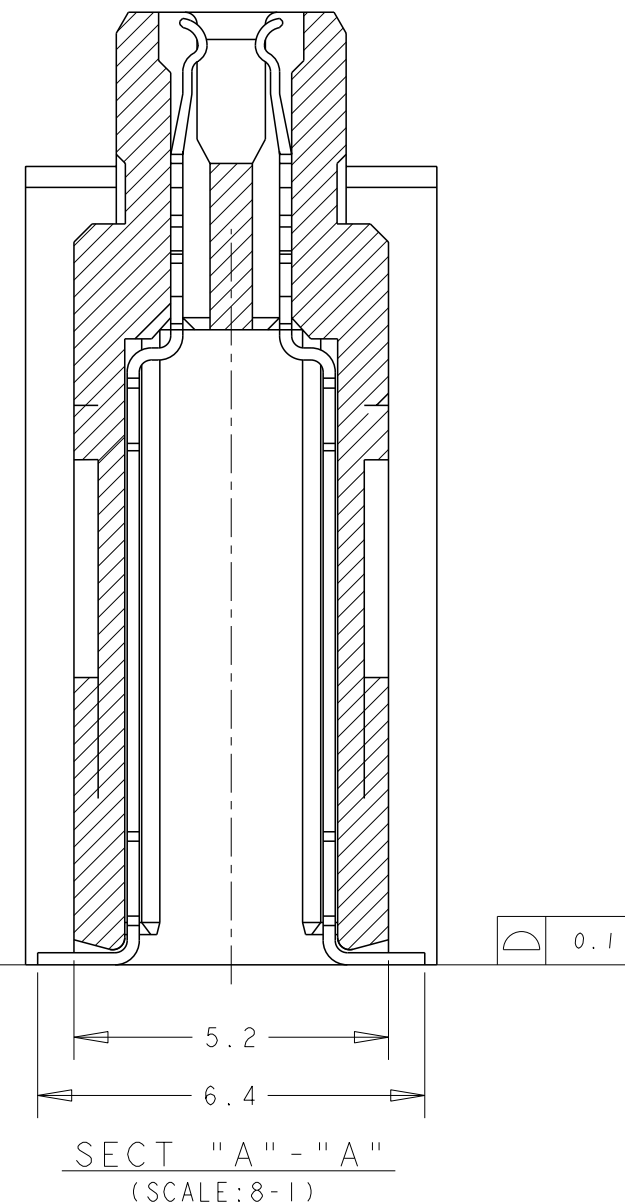
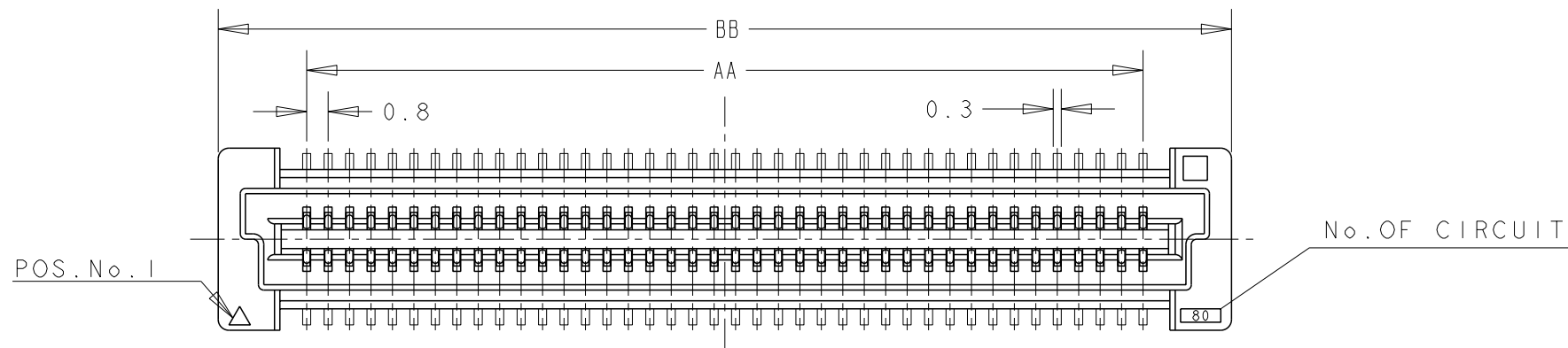
ALL RIGHTS RESERVED.

LOC  
DY



DIST  
-

REVISIONS

P	LTR	DESCRIPTION	DATE	DWN	APVD
-	-	SEE SHEET 1	-	-	-

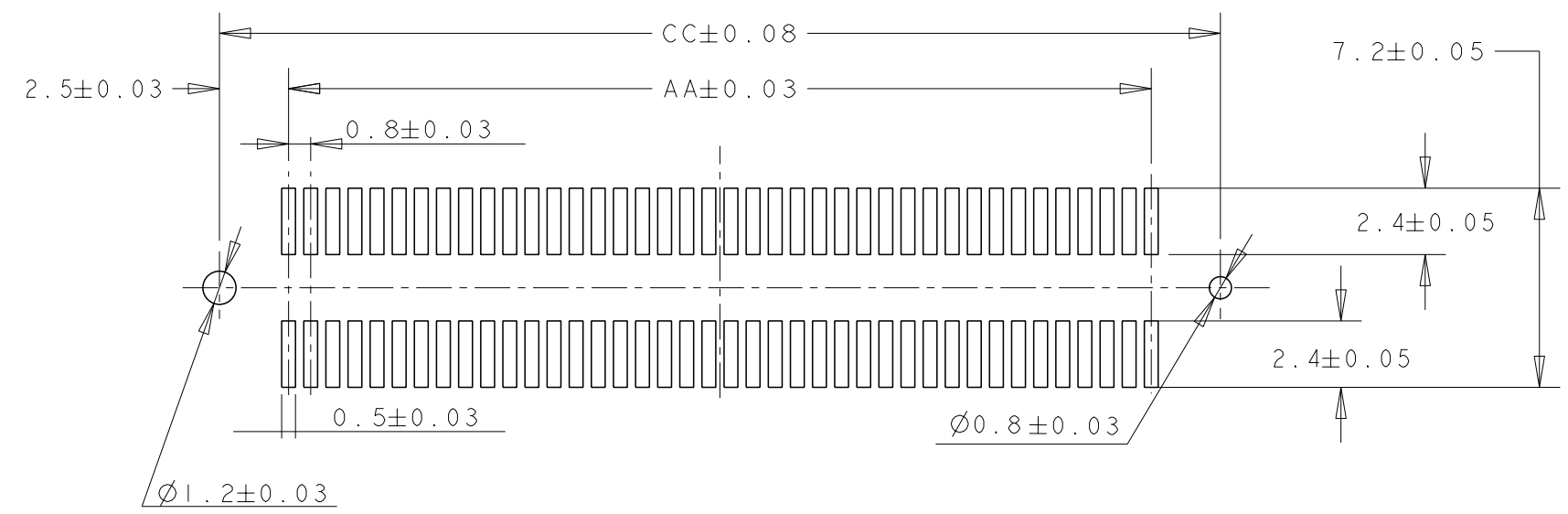


CONNECTOR DIMENSIONS REFERENCED FROM DRAWING NO. 1735480.

THIS DRAWING IS A CONTROLLED DOCUMENT.		DWN WYLEE	10JUL2007	 TE Connectivity	
DIMENSIONS: mm		CHK YJ SEE	20MAR2013		
TOLERANCES UNLESS OTHERWISE SPECIFIED:		APVD SE LEONG	20MAR2013	NAME RECEPTACLE 17mm HEIGHT FH 0.8mm B-T-B CONNECTOR WITH STEEL COVER, ON EMBOSS TAPE	
0 PLC ±- 1 PLC ±0.30 2 PLC ±0.25 3 PLC ±0.20 4 PLC ±- ANGLES ±3°		PRODUCT SPEC 108-5390	SIZE A300779		CAGE CODE C=1735482
MATERIAL 		FINISH SEE P/N TABLE	APPLICATION SPEC 114-5254	DRAWING NO. 1735482	
		WEIGHT -	RESTRICTED TO -		
		CUSTOMER DRAWING	SCALE 2:1	SHEET 2 OF 3	REV A2

THIS DRAWING IS UNPUBLISHED. RELEASED FOR PUBLICATION 20  
 © COPYRIGHT 20 BY - ALL RIGHTS RESERVED.

LOC	DIST	REVISIONS				
P	LTR	DESCRIPTION	DATE	DWN	APVD	
DY	-	SEE SHEET 1	-	-	-	



RECOMMENDED P.C. BOARD LAYOUT  
 (REFERENCED FROM DRAWING NO. 1735480.)

CONTACT FINISH	QTY	CC	BB	AA	F	E	D	C	B	A	CONNECTOR P/N REF. ONLY	POS	SALEABLE PART NO.
30 u" Au - Sn 3	100	84.20	SAME AS DIM D	79.20	94.0	20	85.8	120	116.4	58.2	8-1735480-0	200	3-1735482-0
	100	76.20		71.20	86.0	20	77.8	104	100.4	50.2	7-1735480-9	180	2-1735482-9
	100	68.20		63.20	73.8	20	69.8	88	84.4	42.2	7-1735480-8	160	2-1735482-8
	100	64.20		59.20	69.8	20	65.8	88	84.4	42.2	7-1735480-7	150	2-1735482-7
	100	60.20		55.20	65.8	20	61.8	88	84.4	42.2	7-1735480-6	140	2-1735482-6
	100	52.20		47.20	57.8	20	53.8	72	68.4	34.2	7-1735480-5	120	2-1735482-5
	100	44.20		39.20	49.8	20	45.8	72	68.4	34.2	7-1735480-4	100	2-1735482-4
	100	36.20		31.20	41.8	20	37.8	56	52.4	26.2	7-1735480-3	80	2-1735482-3
	100	28.20		23.20	33.8	20	29.8	44	40.4	20.2	7-1735480-2	60	2-1735482-2
	100	20.20		15.20	25.8	20	21.8	44	40.4	20.2	7-1735480-1	40	2-1735482-1
08 u" Au - Sn 2	100	84.20	SAME AS DIM D	79.20	94.0	20	85.8	120	116.4	58.2	6-1735480-0	200	1-1735482-0
	100	76.20		71.20	86.0	20	77.8	104	100.4	50.2	5-1735480-9	180	1735482-9
	100	68.20		63.20	73.8	20	69.8	88	84.4	42.2	5-1735480-8	160	1735482-8
	100	64.20		59.20	69.8	20	65.8	88	84.4	42.2	5-1735480-7	150	1735482-7
	100	60.20		55.20	65.8	20	61.8	88	84.4	42.2	5-1735480-6	140	1735482-6
	100	52.20		47.20	57.8	20	53.8	72	68.4	34.2	5-1735480-5	120	1735482-5
	100	44.20		39.20	49.8	20	45.8	72	68.4	34.2	5-1735480-4	100	1735482-4
	100	36.20		31.20	41.8	20	37.8	56	52.4	26.2	5-1735480-3	80	1735482-3
	100	28.20		23.20	33.8	20	29.8	44	40.4	20.2	5-1735480-2	60	1735482-2
	100	20.20		15.20	25.8	20	21.8	44	40.4	20.2	5-1735480-1	40	1735482-1

THIS DRAWING IS A CONTROLLED DOCUMENT.

DWN: WYLEE 10JUL2007  
 CHK: YJ SEE 20MAR2013  
 APVD: SF LEONG 20MAR2013

DIMENSIONS: mm  
 TOLERANCES UNLESS OTHERWISE SPECIFIED:  
 0 PLC ±-  
 1 PLC ±0.30  
 2 PLC ±0.25  
 3 PLC ±0.20  
 4 PLC ±-  
 ANGLES ±3°

MATERIAL: SEE P/N TABLE

PRODUCT SPEC: 108-5390  
 APPLICATION SPEC: 114-5254  
 WEIGHT: -

CUSTOMER DRAWING

TE Connectivity

NAME: RECEPTACLE 17mm HEIGHT  
 FH 0.8mm B-T-B CONNECTOR  
 WITH STEEL COVER, ON EMBOSS TAPE

SIZE: A3 CAGE CODE: 00779 DRAWING NO: 1735482 RESTRICTED TO: -

SCALE: 2:1 SHEET: 3 OF 3 REV: A2